



3rd Generation Toyota Sienna Roof Rack

Step 1

Remove Caps on all 4 corners using trim tool.

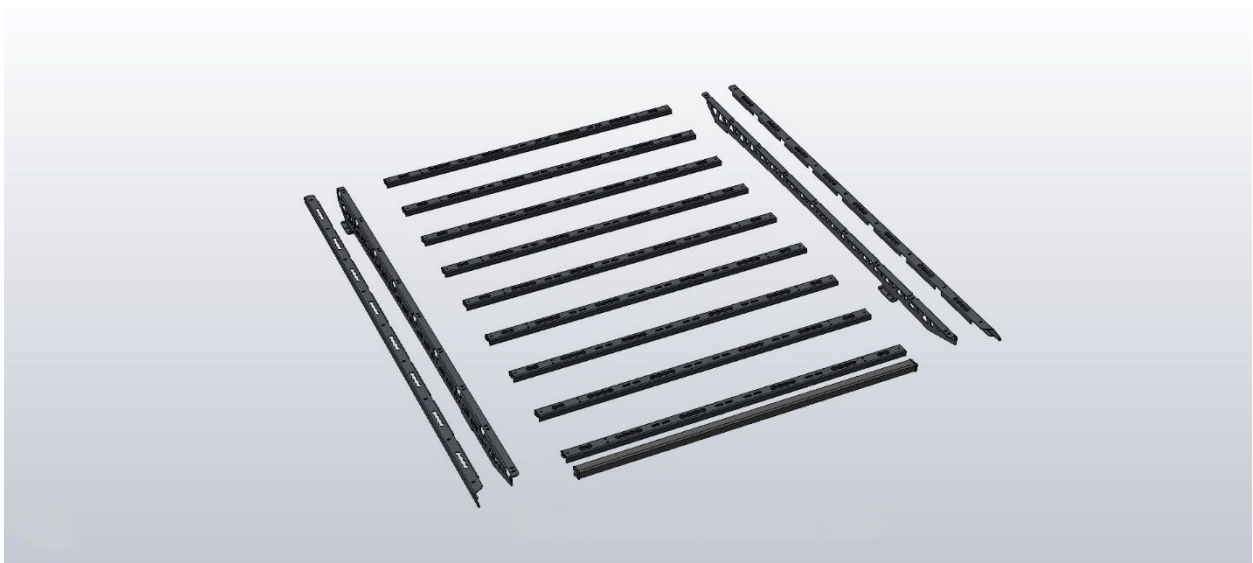
Remove Factory Mounting Hardware. (This hardware will be reused)

Remove Factory Roof Rails and Crossbars.

Step 2

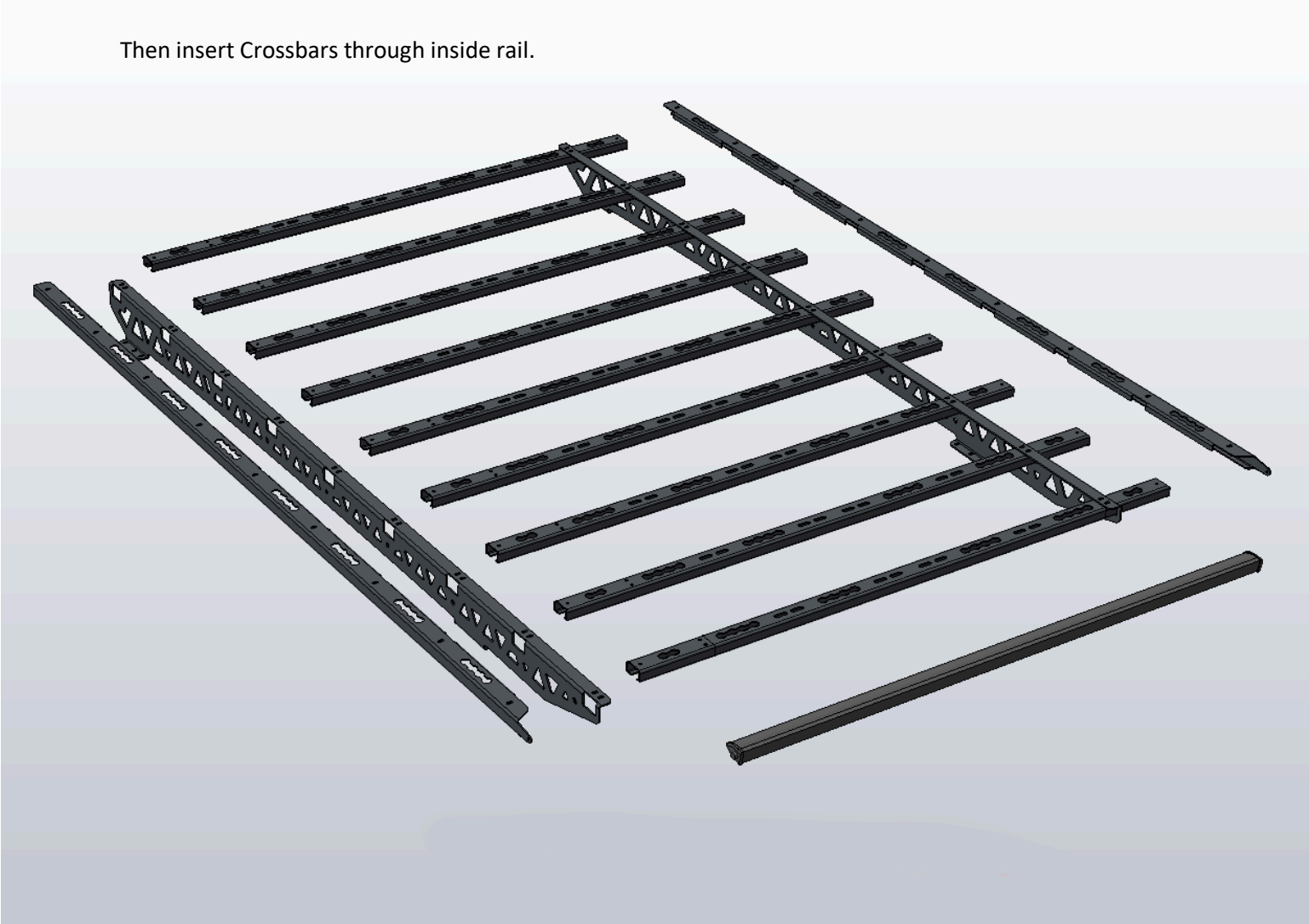
Assemble Roof Rack

Layout rack as shown below.



**3rd Generation
Toyota Sienna
Roof Rack**

Then insert Crossbars through inside rail.



3rd Generation Toyota Sienna Roof Rack



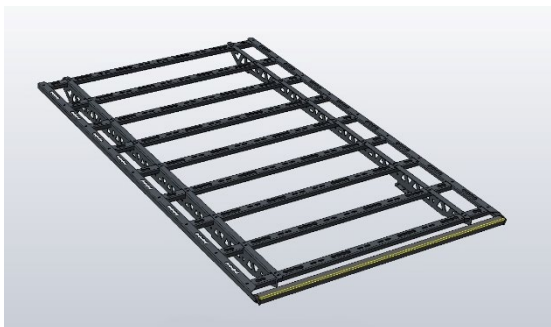
Secure Inner Rails by loosely threading in screws.



Secure opposite Inner Rail.



Secure Outer Rails.



Attach LED Light Bar.

3rd Generation Toyota Sienna Roof Rack



Now that rack is fully assembled, place on factory mounting points, using the factory mounting hardware and tighten.



Now once the rack is mounted, tighten all screws on rack.